

Calculating Density

Divide The Weight & Find Your Rate

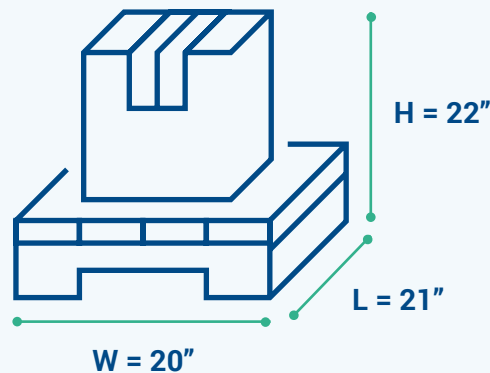
STEP 1: Find Cubic Inches Based on Shipment Dimensions

Multiply Length (x) Width (x) *Height of the Box and its Pallet

Example:

$21 \times 20 \times 22 = 9,240$
Cubic Inches

**NOTE: If height exceeds 47" you must use 96" instead.*



STEP 4: Find Class

Use the Calculated Density to determine the proper Freight Class

PCF	Class
Less than 1	400
1 but less than 2	300
2 but less than 4	250
4 but less than 6	175
6 but less than 8	125
8 but less than 10	100
10 but less than 12	92.5
12 but less than 15	85
15 but less than 22.5	70
22.5 but less than 30	65
Over 30	60

STEP 2: Convert Cubic Inches to Cubic Feet

Divide Cubic Inches by 1728 (Number of Cubic Inches in 1 Cubic Foot)

Example:

$9,240 / 1728 = 5.35$ Cubic Feet

STEP 3: Calculate Density

Divide the Total Weight of the *Shipment and its Pallet by Cubic Feet

Example:

$80 \text{ lbs.} / 5.35 = 14.95 \text{ lbs. pcf}$ (pounds per cubic foot)

**NOTE: Use total weight of the shipment, not individual boxes.*

Use the [Density Calculator](#) on our website!



YOUR PARTNER FOR PEAK LOGISTICS PERFORMANCE

ascentgl.com | 1.800.614.1348